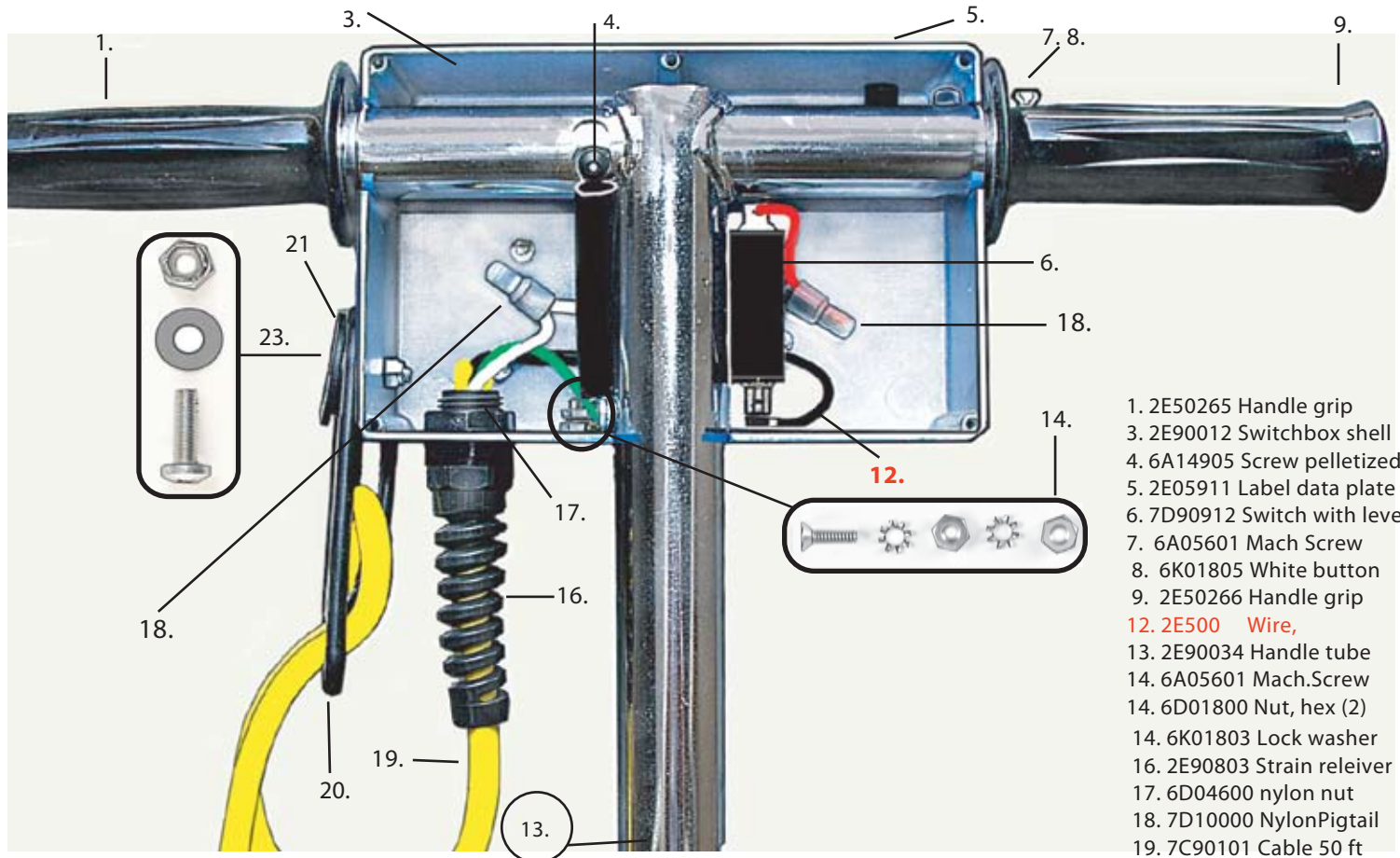


Floormachine Handle for Rocky part # 2E90050



- 1. 2E50265 Handle grip
- 3. 2E90012 Switchbox shell
- 4. 6A14905 Screw pelletized
- 5. 2E05911 Label data plate
- 6. 7D90912 Switch with lever
- 7. 6A05601 Mach Screw
- 8. 6K01805 White button
- 9. 2E50266 Handle grip
- 12. 2E500 Wire,
- 13. 2E90034 Handle tube
- 14. 6A05601 Mach.Screw
- 14. 6D01800 Nut, hex (2)
- 14. 6K01803 Lock washer
- 16. 2E90803 Strain releiver
- 17. 6D04600 nylon nut
- 18. 7D10000 NylonPigtail
- 19. 7C90101 Cable 50 ft
c/w 3 wire wall plug
- 20. 7D54707 Strain releiver
- 21. 7D54708 Strain rel.button
- 23. 6A19000 Mach.Screw
- 23. 6K02000 Flat Washer
- 23. 6D02301 Nut nylon insert
- 40. 9D91610 collar/cordhook
for replacement order 2E91612
- 42. 2E50035 Stand off short
- 42. 2E50036 Stand off long
- 43. 6A15301 Mach.Scrw #10
- 44. 6D02203 push nut
- 49. Switchbx cover has No #
(not shown, not sold separately)
- 51. 2E05913 Wiring diagram

**single speed,
direct wired switchbox**

